



Ascent
TECHNOLOGIES

Exterior Lighting Catalog

Ascent-Technologies.com



Ascent Technologies is a U.S. based LED lighting manufacturer located in Las Vegas, NV. Our company goal is to provide high quality and affordable lighting products with exceptional customer service.

Ascent Technologies designs, engineers, tests and stocks LED Lamps and Fixtures at our headquarters in Las Vegas. We are devoted to research and development in LED technologies. Engineering is what we do best. From the initial concept design to our in-house lab, foundry and assembly line - We control every step along the way, all for quality control. We stand behind everything we make with a five-year, full replacement warranty.

Our products are designed for many applications including: residential, healthcare, education, institutional, house of worship, hotels, hospitality and warehouses. We are always on a quest to develop the most efficient, smartest and cutting edge products in the industry.



Ascent Technologies
5625 S. Arville St. Suite A.
Las Vegas, NV 89118
www.ascent-technologies.com
Email: ContactMail@ascent-technologies.com



FL Series FLOOD LIGHT



FL1-40K
Watt: 12W
Lumen: 1150 lm



FL2-40K
Watt: 24W
Lumen: 2300 lm



FL3-40K-PC
Watt: 24W
Lumen: 2300 lm

SPECIFICATION:

Input voltage: 120VAC

LED: DOB technology (Driver on Board)

Color Temp: 4000K.

Ambient Operating Temperature: -40°C ~ 40°C

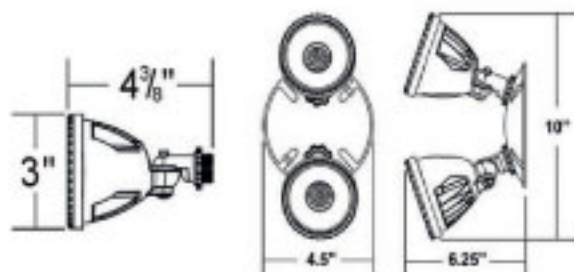
Lens: Tempered glass lens

Construction: Powder coated die-cast aluminum

Mounting: 1/2" NPS Fitter

Surge Protection Device: 2.5KV

FL3-40K-PC (Includes Photocell)



FL1

FL2 - FL3



Ascent Technologies
5625 S. Arville St. Suite A.
Las Vegas, NV 89118
www.ascent-technologies.com
ContactMail@ascent-technologies.com





FL Series FLOOD LIGHT

PERFORMANCE:

Model	Watt	Lumen	Efficacy
FL26	26W	3752 lm	144 lm/watt
FL27	62W	8171 lm	132 lm/watt
FL28	138W	19417 lm	140 lm/watt



1/2" NPS Fitter
(FL26/FL27)



2" Slip Fitter
(FL28)



Yoke Mount
(FL26/FL27/FL28)



SPECIFICATION:

Input voltage: 120-277V

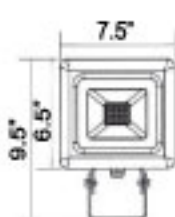
LED: Seoul Semi or equivalent

Color Temp: 4000K

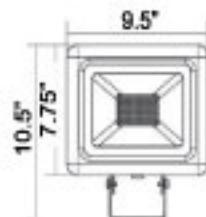
Construction: Powder coated die-cast aluminum body with tempered glass lens

Surge Protection Device: 4KV

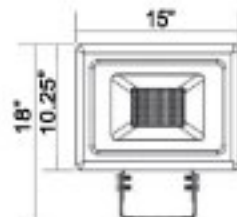
DIMENSIONS:



FL26



FL27



FL28



Ascent Technologies
5625 S. Arville St. Suite A.
Las Vegas, NV 89118
www.ascent-technologies.com
ContactMail@ascent-technologies.com





FL33

FL31

FL35Y

FL34

FL32

FL Series (DOB) FLOOD LIGHT

PERFORMANCE:

Model	Watt	Lumen
FL31	24W	2200 lm
FL32	48W	4500 lm
FL33-N/Y	72W	6200 lm
FL34-N/Y	40W*	3904 lm
FL35-N/Y	65W*	6671 lm

* DLC certified model



Knuckle



Yoke

SPECIFICATION:

Input voltage: 120V

LED: High efficacy SMD LED (Driver on Board)

Color Temp: 4000K

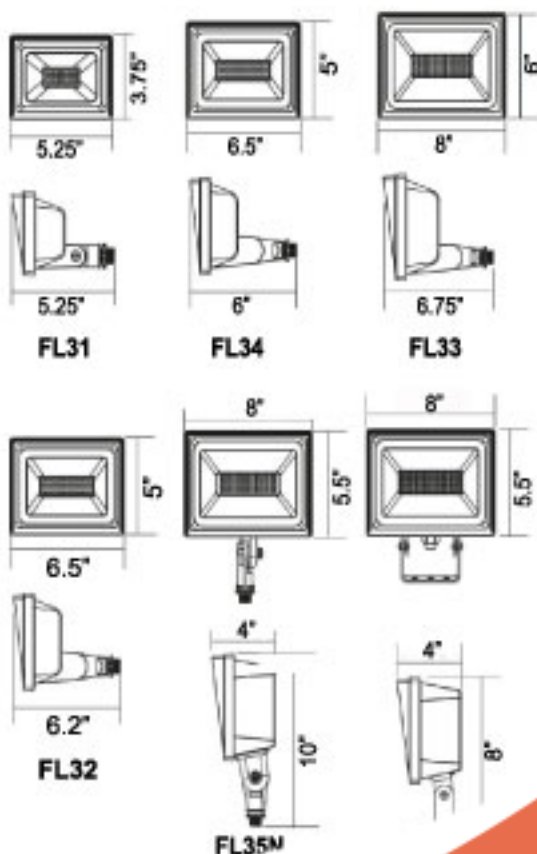
Lens: Tempered glass lens | thermal - impact resistant

Housing: Die-cast aluminum

Finish: Durable polyester powder coat

Mounting: 1/2" NPS aluminum die-cast swivel fitter

Surge Protection Device: 4KV



Ascent Technologies
5625 S. Arville St. Suite A.
Las Vegas, NV 89118
www.ascent-technologies.com
ContactMail@ascent-technologies.com





VP Series VAPOR TIGHT

PERFORMANCE:

Model	Watt	Lumen	Efficacy
VP1	12W	800 lm	67 lm/watt
VP2	22W	1400 lm	64 lm/watt

SPECIFICATION:

Input voltage: 120-277VAC

LED: Seoul Semi or equivalent

Color Temp: 4000K

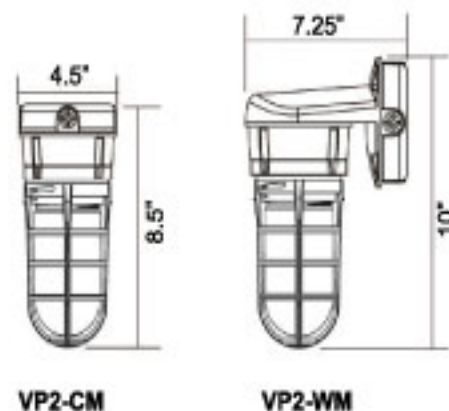
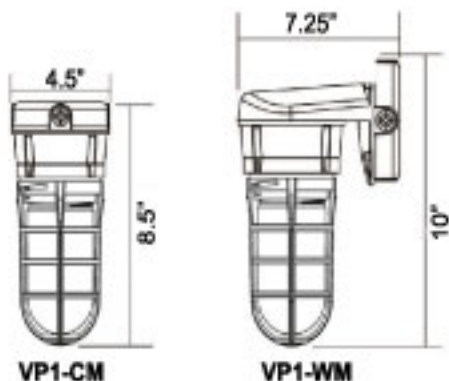
Lens: Heat and shock-resistant frosted glass (PC available)

Housing: Die-cast aluminum body

Finish: Durable polyester powder-coat

Surge Protection Device: 4KV

Mounting Option: Ceiling and wall mount



Ascent Technologies
5625 S. Arville St. Suite A.
Las Vegas, NV 89118
www.ascent-technologies.com
ContactMail@ascent-technologies.com

IP65





VP Series VAPOR TIGHT

PERFORMANCE:

Model	Max Watt	E26 Screw-in Socket
VP3	150W	120V
VP4	150W	120V

SPECIFICATION:

Input voltage: 120V - Screw-in lamp (not included)

Incandescent Screw Socket E-26 / Edison Base

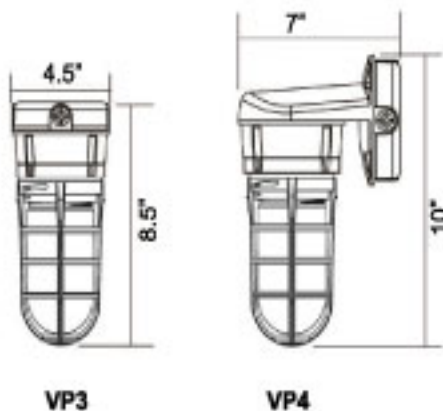
Lens: Heat and shock-resistant clear glass

Housing: Die-cast aluminum body

Finish: Durable polyester powder-coat

Surge Protection Device: 4KV

Mounting Option: Ceiling and wall mount



Ascent Technologies
5625 S. Arville St. Suite A.
Las Vegas, NV 89118
www.ascent-technologies.com
ContactMail@ascent-technologies.com

IP65





WM Series WALL MOUNT



PERFORMANCE:

Model	Watt	Lumen
WM31	18W*	2100 lm
WM41	37W*	4000 lm

* DLC certified model

SPECIFICATION:

Input voltage: 120-277V (WM31,WM41)

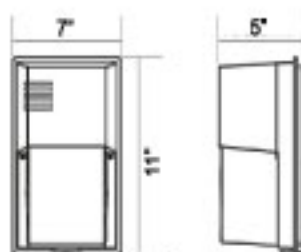
LED: Citizen or equivalent

Color Temp: WM31 - 4000K / WM41 - 5000K

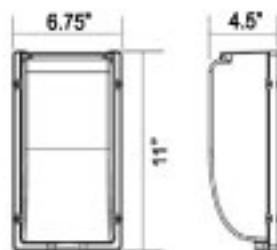
Lens: Polycarbonate lens for excellent impact, corrosion and UV resistance

Housing: Die-cast aluminum mounting plate

Mounting: 1/2" NPT tapped back and bottom for conduit entrances



WM31



WM41



Ascent Technologies
5625 S. Arville St. Suite A.
Las Vegas, NV 89118
www.ascent-technologies.com
ContactMail@ascent-technologies.com





WP Series CUTOFF WALL PACK



WP24



WP25

PERFORMANCE:

Model	Watt	Lumen	Efficacy
WP24	22W	3000 lm*	136 lm/watt
WP25	46W	6300 lm*	131 lm/watt

SPECIFICATION:

Input voltage: 120-277V

LED: Seoul Semi or equivalent

Color Temp: 4000K

Lens: Polycarbonate optic lens provide Type III distribution

Housing: Die-cast aluminum

Finish: Durable polyester powder-coat

Dimming: Optional for WP25

Mounting: 1/2" NPS knockouts on top and sides or rear mounting plate for conduit entry

Photocell: 120-277V optional for WP25

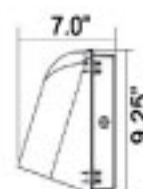
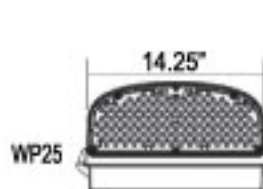
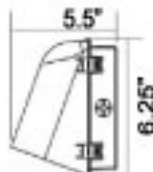
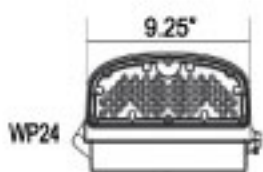
Surge Protection Device: 4KV



FULL CUTOFF



SEMI CUTOFF



Ascent Technologies
5625 S. Arville St. Suite A.
Las Vegas, NV 89118
www.ascent-technologies.com
ContactMail@ascent-technologies.com

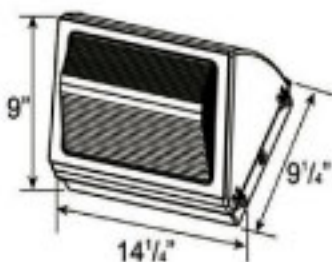




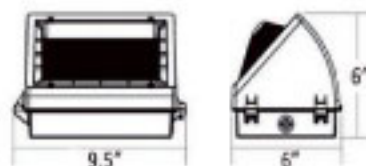
WP Series WALLPACK



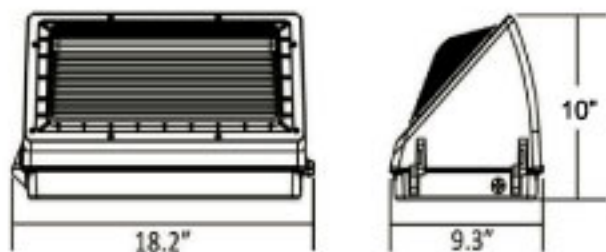
WP52 WP53 WP54



WP51



WP55



SPECIFICATION:

Input voltage: 120V

LED: DOB technology (Driver on Board)

Color Temp: 4000K

Lens: Impact resistant Plastic

Construction: Powder coated die-cast aluminum body

Surge Protection Device: 4KV

WP51 5300 lm - 47W

WP52 5700 lm - 47W

WP53 8300 lm - 72W

WP54 13000 lm - 114W

WP55 20200 lm - 175W



Ascent Technologies
5625 S. Arville St. Suite A.
Las Vegas, NV 89118
www.ascent-technologies.com
ContactMail@ascent-technologies.com





WP Series WALL PACK



WP56 - WP57

PERFORMANCE:

Model	Watt	Lumen	Efficacy
WP56	46W	6217 lm	135 lm/watt
WP57	67W	9152 lm	137 lm/watt

SPECIFICATION:

Input voltage: 120-277V 50/60Hz

LED: Seoul Semi or equivalent

Lens: Heat and shock-resistant borosilicate glass

Color Temp: 4000K

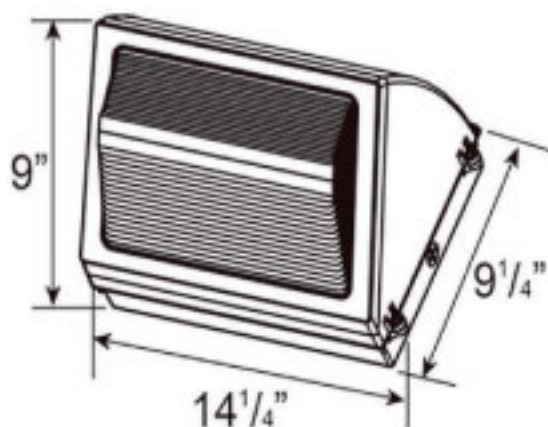
Housing: Die-cast aluminum

Finish: Durable polyester powder coat

Mounting: 1/2" NPS knockouts on top and sides or rear mounting plate for conduit entry

Photocell: 120-277V (optional)

Surge Protection Device: 4KV



Ascent Technologies
5625 S. Arville St. Suite A.
Las Vegas, NV 89118
www.ascent-technologies.com
ContactMail@ascent-technologies.com





C7



C8

Canopy Series CEILING MOUNT

PERFORMANCE:

Model	Watt	Lumen	Efficacy
C7	36W	4950 lm	136 lm/watt
C8	53W	7250 lm	136 lm/watt

SPECIFICATION:

Input voltage: 120-277VAC

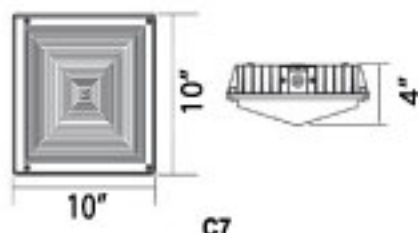
LED: Seoul Semi or equivalent

Color Temp: 4000K

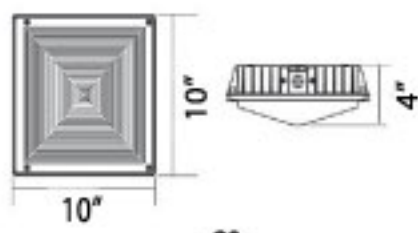
Construction: Powder coated die-cast aluminum body with UV stabilized acrylic prismatic refractor

Mounting: 3/4" conduit entry on top and 1/2" conduit entries on three sides

Surge Protection Device: 2KV



C7



C8



Ascent Technologies
5625 S. Arville St. Suite A.
Las Vegas, NV 89118
www.ascent-technologies.com
ContactMail@ascent-technologies.com





Ascent
TECHNOLOGIES



BL1



BL3



BL2

BL Series AREA LIGHT

PERFORMANCE:

Model	Watt	Lumen	Efficacy
BL1	20W	2100 lm	105 lm/watt
BL2	32W	3600 lm	112 lm/watt
BL3	47W**	6800 lm	145 lm/watt

** DLC Premium certified.

SPECIFICATION:

Input voltage: 120-277VAC

LED: Citizen or equivalent

Color Temp: 4000K

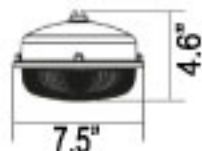
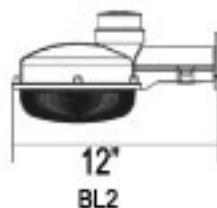
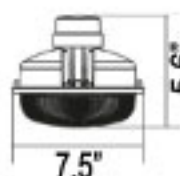
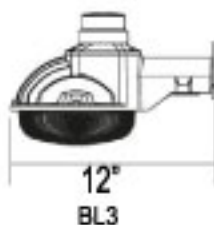
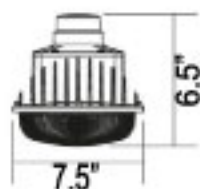
Lens: Acrylic prismatic refractor

Housing: Die-cast aluminum

Finish: Durable polyester powder-coat

Mounting: Wall mount Arm 1.65" diameter (optional)

Photocell: 120-277V (BL2, BL3) 120V (BL1)



Ascent Technologies
5625 S. Arville St. Suite A.
Las Vegas, NV 89118
www.ascent-technologies.com
ContactMail@ascent-technologies.com





FL Series FLOOD LIGHT



SPECIFICATION:

Input voltage: 120 - 277V

Wattage: 46W | 4520 lm

LED: COB technology

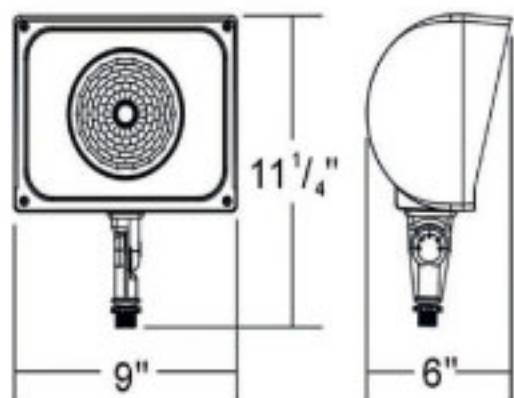
Color Temp: 4000K

Lens: Tempered glass lens

Construction: Powder coated die-cast aluminum body

Mounting: 1/2" NPS fitter (Knuckle)

Surge Protection Device: 4KV



FL17



Ascent Technologies
5625 S. Arville St. Suite A.
Las Vegas, NV 89118
www.ascent-technologies.com
ContactMail@ascent-technologies.com





LF Series BULLET FLOOD LIGHT

PERFORMANCE:

Model	Watt	Lumen	Efficacy
FL91	47W	4750 lm	101 lm/watt
FL93	74W	8200 lm	110 lm/watt

SPECIFICATION:

Input voltage: 120-277VAC

LED: Citizen LED or equivalent

Color Temp: 5000K

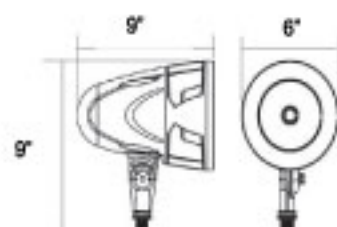
Lens: Tempered glass lens

Housing: Die-cast aluminum

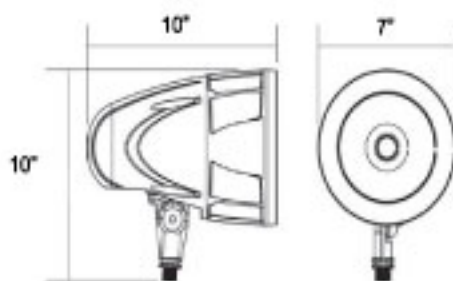
Finish: Durable polyester powder coated body

Surge Protection: 4KV

Optic: 60° / 100° Beam angle



FL91



FL93



1/2" Swivel Arm
(FL91, FL93)



2" Slip Fitter
(FL93 Option)



Ascent Technologies
5625 S. Arville St. Suite A.
Las Vegas, NV 89118
www.ascent-technologies.com
ContactMail@ascent-technologies.com





Landscape Series



LT-101



LT-103



LT-106



LT-105



LT-104



LT-102

All include BT15 LED lamp, 8 inch stem and spike.

Aluminum with powder coat bronze finish.

LT-106 has integrated stem. LT-106 - MR16 LED Lamp - no stem.

12VAC - 18/2 lead.



Ascent Technologies
5625 S. Arville St. Suite A.
Las Vegas, NV 89118
www.ascent-technologies.com
ContactMail@ascent-technologies.com





Landscape Series



LL-BU4



LL-BG1



LL-BP1



LL-CU1



LL-BU1



**All include MR16 LED lamp and spike.
LL-BP1 includes stake and LED lamp.
Fixtures are solid Brass or Copper finish.
12VAC - 18/2 lead**



Ascent Technologies
5625 S. Arville St. Suite A.
Las Vegas, NV 89118
www.ascent-technologies.com
ContactMail@ascent-technologies.com





Toroidal Transformer Low Voltage Transformer



Toroidal transformers are generally 90-95% efficient, as compared to other transformers, which are generally less than 90%.



TR-150-SS



TR-300-SS



TR-600-SS



Power: 75-150-300-600 watt available.

Input: 120V / 60Hz

Output Voltage Taps: 12V-13V-14V-15V AC (75W version 12V and 15V)

Timer and Photocell (not included) receptacle available - Add a timer or photocell. (75W version includes Built-in mechanical Timer)

Dual Protection:

Primary circuit protection: Auto Reset Thermal Circuit Breaker On Core

Secondary circuit protection: Magnetic Circuit Breaker

Heavy duty 304 is the most versatile and widely used stainless steel.

ETL listed to US /Canada safety standards for landscape lighting.

Epoxy encapsulated toroidal core transformer results in silent operation, greater reliability and high efficiency.

Suitable for Indoor and Outdoor use.

Dimensions:

75W - 10.50" X 7" X 7.67"

150W - 15.15" X 7.67" X 9.05"

300W - 16.73" X 8.85" X 9.45"

600W - 18.30" X 10.23" X 11.2"



Ascent Technologies
5625 S. Arville St. Suite A.
Las Vegas, NV 89118
www.ascent-technologies.com
ContactMail@ascent-technologies.com





WL Series WORK LIGHT



WL6-50K
Watt: 36W
Lumen: 3000 lm



WL8-50K
Watt: 73W
Lumen: 6600 lm



WL9-50K-T
Watt: 72W
Lumen: 6000 lm



WL10-50K-T
Watt: 146W
Lumen: 13200 lm

SPECIFICATION:

Input voltage: 120V

LED: DOB technology

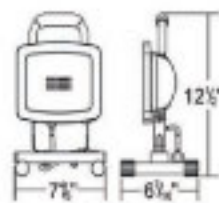
Color Temp: 5000K

Lens: Tempered glass lens

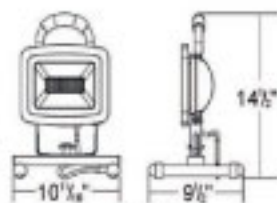
Construction: Powder coated die-cast aluminum body. Tool free, quick head adjustment. Foam handle and slip-proof feet on sled base

Mounting: H stand and Tripod Available

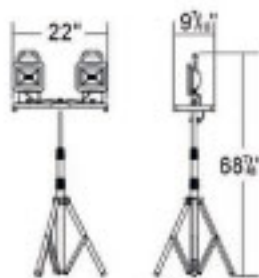
Surge Protection Device: 4KV



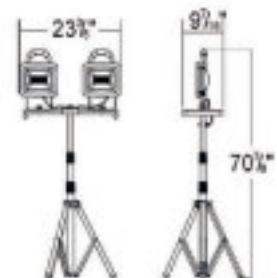
WL6-50K



WL8-50K



WL9-50K



WL10-50K



Ascent Technologies
5625 S. Arville St. Suite A.
Las Vegas, NV 89118
www.ascent-technologies.com
ContactMail@ascent-technologies.com





FLOOD LIGHT

FLM29-YK-White
FLM29-Kraden

PERFORMANCE

MODEL	WATT	LUMEN	EFFICACY
FLM29-YK-White	275W	38000lm	138lm/watt
FLM29-Kraden	275W	25800lm	94lm/watt

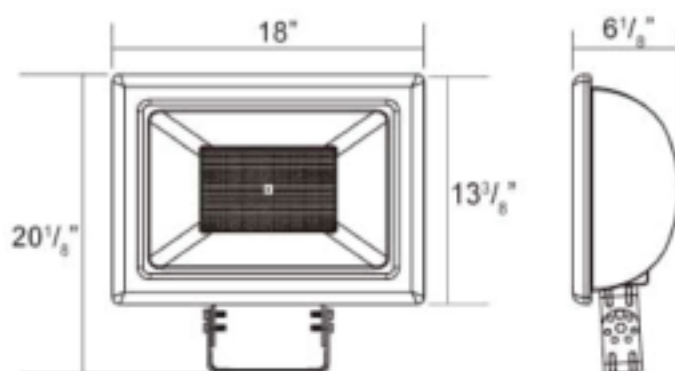
SPECIFICATIONS

Input voltage:	120-277VAC
LED:	Seoul semi. or equivalent
Color Temperature:	5000K/Kraden: 2200K
Construction:	Power coated die-cast aluminum body with tempered glass lens.
Finish:	White coatline AAMA 2605 compliant
Surge Protection Device:	6KV available U-Bracket with stainless steel bolts.



Yoke Mount

DIMENSION



Ascent Technologies
5625 S. Arville St. Suite A.
Las Vegas, NV 89118
www.ascent-technologies.com
ContactMail@ascent-technologies.com





FLOOD LIGHT

FLM35-YK-White

PERFORMANCE

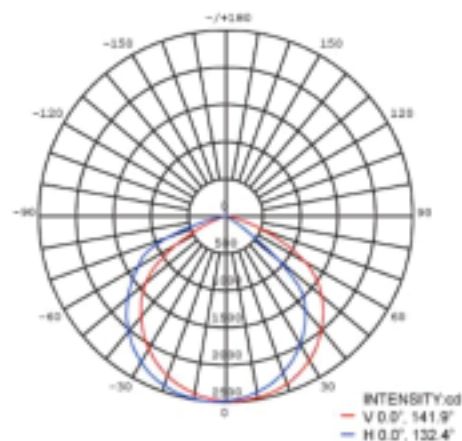
MODEL	WATT	LUMEN	EFFICACY
FLM35-YK-White	66W	6900lm	105lm/watt

SPECIFICATIONS

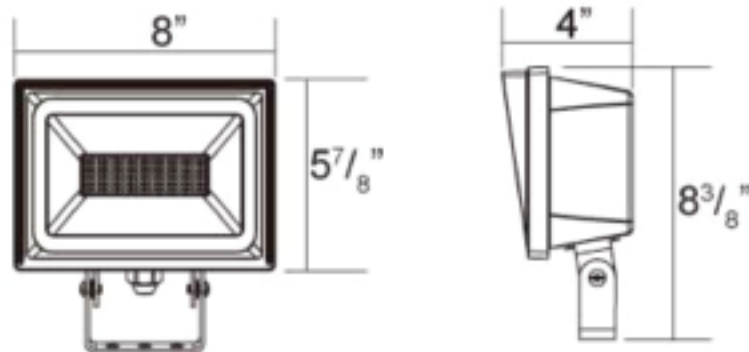
Input voltage:	120VAC
LED:	High efficacy SMD LED
Color Temperature:	5000K
Lens:	Temper glass lens is thermal and impact resistant.
Housing	Die-cast aluminum
Finish:	White coating AAMA 2605 compliant
Mounting	Adjustable yoke
Surge Protection Device:	6KV available U-Bracket with stainless steel bolts.



PHOTOMETRICS



DIMENSION



Ascent Technologies
 5625 S. Arville St. Suite A.
 Las Vegas, NV 89118
www.ascent-technologies.com
ContactMail@ascent-technologies.com





FLOOD LIGHT

FLM33-YK-White

PERFORMANCE

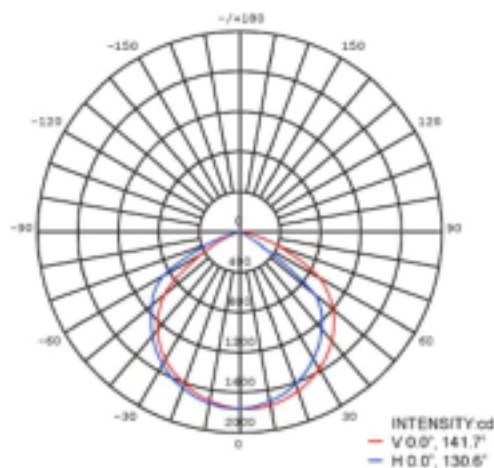
MODEL	WATT	LUMEN	EFFICACY
FLM33-YK-White	40W	4400lm	110lm/watt

SPECIFICATIONS

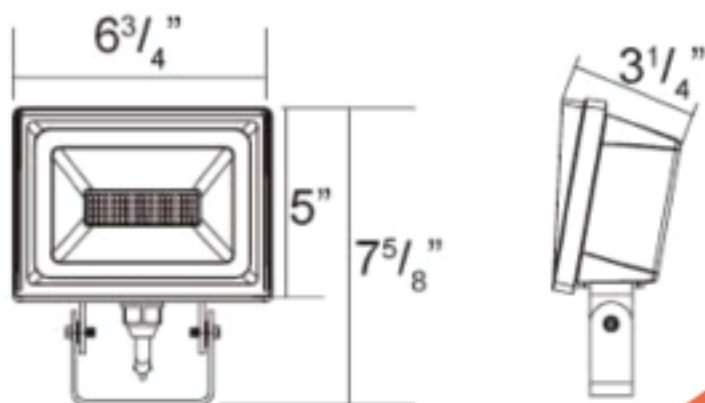
Input voltage:	120VAC
LED:	High efficacy SMD LED
Color Temperature:	5000K
Lens:	Temper glass lens is thermal and impact resistant.
Housing	Die-cast aluminum
Finish:	White coating AAMA 2605 compliant
Mounting	Adjustable
Surge Protection Device:	6KV available U-Bracket with stainless steel bolts.



PHOTOMETRICS



DIMENSION



Ascent Technologies
5625 S. Arville St. Suite A.
Las Vegas, NV 89118
www.ascent-technologies.com
ContactMail@ascent-technologies.com





FLOOD LIGHT

FLM26-YK-White

PERFORMANCE

MODEL	WATT	LUMEN	EFFICACY
FLM26-YK-White	26W	3700lm	142lm/watt

SPECIFICATIONS

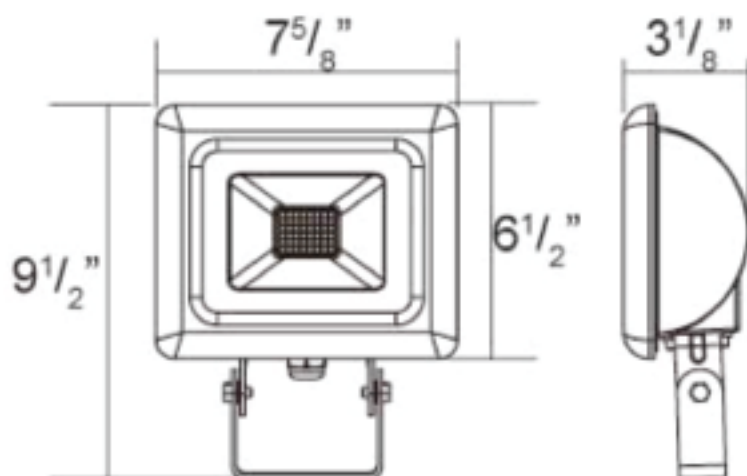
Input voltage:	120-277VAC
LED:	Seoul semi. or equivalent
Color Temperature:	5000K
Construction:	Powder coated die-cast aluminum body with tempered glass lens.
Finish:	White coating AAMA 2605 compliant
Surge Protection Device:	6KV available U-Bracket with stainless steel bolts.



DIMENSION



Yoke Mount



Ascent Technologies
5625 S. Arville St. Suite A.
Las Vegas, NV 89118
www.ascent-technologies.com
ContactMail@ascent-technologies.com



Ascendent TECHNOLOGIES



5625 S. Arville St. Suite A. Las Vegas, NV 89118

www.ascendent-technologies.com

